

BIMETALLIC STEAM TRAPS AND AIR ELIMINATORS
BM 32
 (DN ½" – 1"; DN 15 – 25)

DESCRIPTION

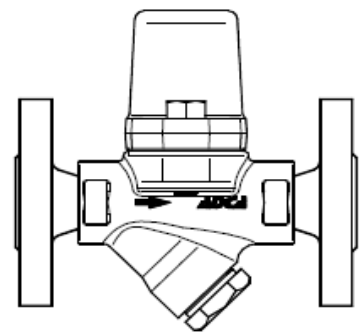
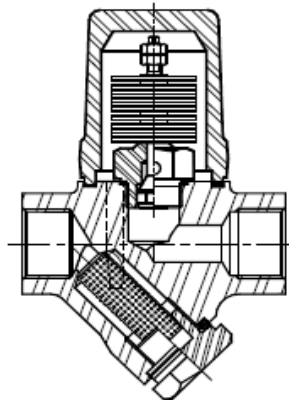
BM32 series bimetallic steam traps and air eliminators are simple and robust traps, recommended for steam process applications where condensate sensible heat can be recovered, steam tracing lines, drip points, storage tank coils, steam air venting, etc. The use of condensate sensible heat reduces the steam consumption.

Connections are female screwed or flanged.

MAIN FEATURES

- Modulating discharge.
- Discharges condensate below steam temperature.
- Excellent air discharge.
- Operates on superheated steam.
- Unaffected by water hammer and vibrations.
- Built-in strainer.

- OPTIONS:** Blowdown valve
- USE:** Saturated and superheated steam.
- AVAILABLE MODELS:** BM32
- SIZES:** DN ½" to 1"; DN15 to DN25.
- CONNECTIONS:** Female screwed ISO 7/1 Rp (BS21)
 Flanged EN 1092-1 PN40 or ANSI
- INSTALLATION:** Horizontal installation recommended, can be installed in any position. See IMI installation and maintenance instructions.

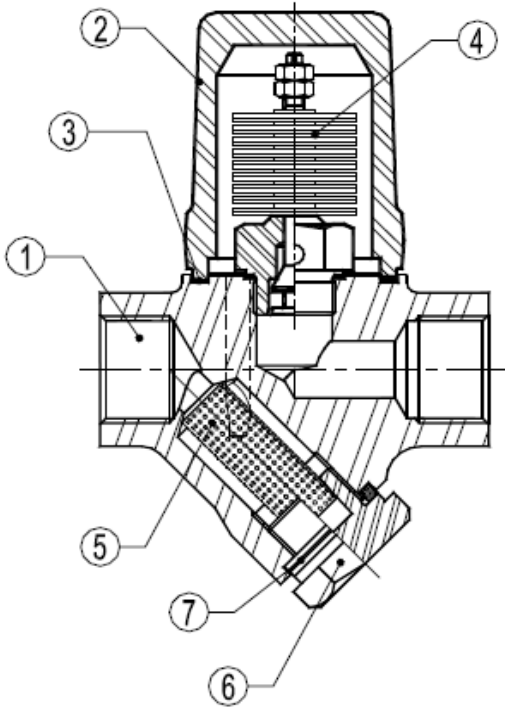


BODY LIMITING CONDITIONS		
FLANGED PN40 / ANSI 300 *	FLANGED ANSI 150 **	RELATED TEMP.
ALLOW. PRES.	ALLOW. PRES.	
40 bar	19,3 bar	50 °C
35 bar	15,8 bar	150 °C
30,4 bar	12,1 bar	250 °C
27,6 bar	10,2 bar	300 °C

PMO - Max. operating pressure 32 bar
 TMO - Max. operating temperature 300 °C
 * According to EN1092-1:2007 ; ** Acc. to EN1759-1:2004
 Body limiting conditions PN40 or below, depending on the type of connection adopted. Rating PN40 for thread, SW and BW.

FLOW RATE CAPACITY IN Kgs/h															
MODEL	SIZE	DN	DIFFERENTIAL PRESSURE (bar)												
			0,5	1	2	4	6	10	12	14	16	18	20	25	32
BM32	15 - 25	A	200	300	390	430	510	580	600	620	660	680	700	740	810
BM32	15 - 25	B	700	1000	1300	1530	1750	2050	2150	2250	2360	2480	2550	2750	2900

A = Condensate discharge at 10°C below saturation temperature. B = Cold water capacity at about 20°C.



MATERIALS		
POS.N r.	DESIGNATION	MATERIAL
1	Body	P250GH / 1.0460
2	Cover	P250GH / 1.0460
3	* Gasket	St.St./Graphite
4	* Valve assy.	Bimetal
5	* Strainer screen	AISI304 / 1.4301
6	* Cover strainer	A 105 / 1.0432
7	* Gasket	Stainless st./Graphite
8	Bolts	A2-70

* Available spare parts

DIMENSIONS (mm)											
SIZE DN	Screwed and SW*					EN PN16/40		ANSI 150		ANSI 300	
	A	B	C	D	WGT. Kgs	E	WGT. Kgs	E	WGT. Kgs	E	WGT. Kgs
15-1/2"	95	59	95	90	2,1	150	3,7	150	3,2	150	4
20-3/4"	95	59	95	90	2,1	150	4,5	150	3,7	150	5,3
25-1"	95	65	95	90	2,1	160	4,9	160	4,5	160	6,1

* BW (butt weld) on request.

