

BIMETALLIC STEAM TRAPS AND AIR ELIMINATORS
BM 20
 (DN 1/2" – 1"; DN 15 – 25)

DESCRIPTION

BM20 series bimetallic steam traps and air eliminators are simple and robust traps, recommended for steam process applications where condensate sensible heat can be recovered, steam tracing lines, drip points, storage tank coils, steam air venting, etc. The use of condensate sensible heat reduces the steam consumption.

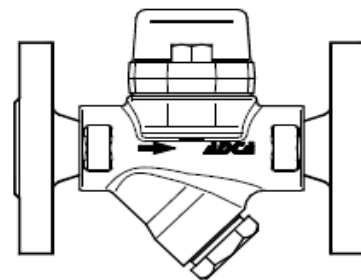
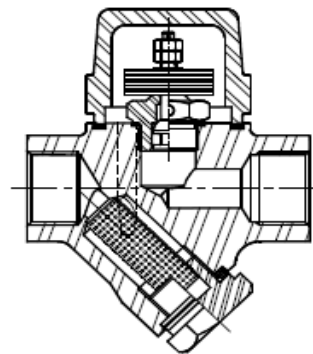
Connections are female screwed or flanged.



MAIN FEATURES

- Modulating discharge.
- Discharges condensate below steam temperature.
- Excellent air discharge.
- Operates on superheated steam.
- Unaffected by water hammer and vibrations.
- Built-in strainer.

- OPTIONS:** Blowdown valve
USE: Saturated and superheated steam.
AVAILABLE MODELS: BM20
SIZES: DN 1/2" to 1"; DN15 to DN25.
CONNECTIONS: Female screwed ISO 7/1 Rp (BS21)
 Flanged EN1092-1 PN40 or ANSI
INSTALLATION: Horizontal installation recommended, can be installed in any position. See IMI installation and maintenance instructions.



BODY LIMITING CONDITIONS		
FLANGED PN40 / ANSI 300 *	FLANGED ANSI 150 **	RELATED TEMP.
ALLOW. PRES.	ALLOW. PRES.	
40 bar	19,3 bar	50 °C
35 bar	15,8 bar	150 °C
30,4 bar	12,1 bar	250 °C
27,6 bar	10,2 bar	300 °C

PMO - Max. operating pressure 17 bar

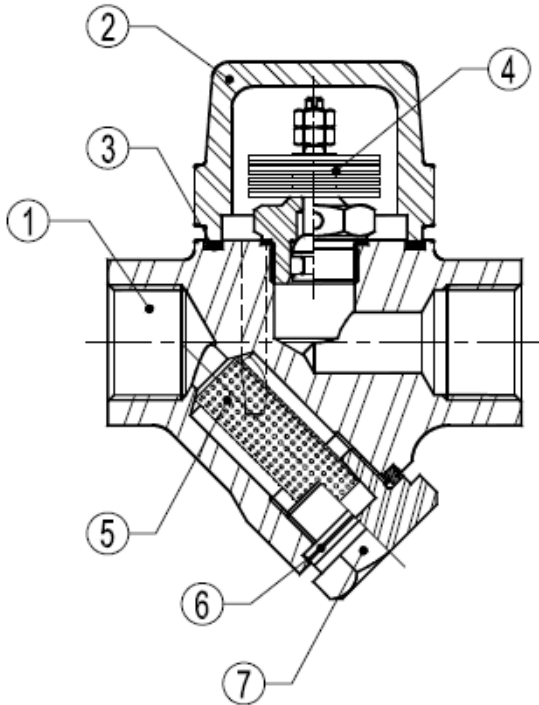
TMO - Max. operating temperature 250 °C

* According to EN1092-1:2007 ; ** Acc. to EN1759-1:2004

Body limiting conditions PN40 or below, depending on the type of connection adopted. Rating PN40 for thread, SW and BW.

FLOW RATE CAPACITY IN Kgs/h											
MODEL	SIZE DN	DIFFERENTIAL PRESSURE (bar)									
		0,5	1	2	4	6	8	10	12	14	17
BM20	15 - 25 A	125	200	320	410	445	485	500	540	580	600
BM20	15 - 25 B	450	700	1000	1220	1340	1450	1560	1650	1780	1850

A = Condensate discharge at 10°C below saturation temperature. B = Cold water capacity at about 20°C.



MATERIALS		
POS.N r.	DESIGNATION	MATERIAL
1	Body	P250GH / 1.0460
2	Cover	P250GH / 1.0460
3	* Gasket	St.St./Graphite
4	* Valve assy.	Bimetal
5	* Strainer screen	AISI304 / 1.4301
6	* Gasket	St.steel / Graphite
7	* Cover strainer	A 105 / 1.0432
8	Bolts	A2-70

* Available spare parts

DIMENSIONS (mm)											
Screwed and SW*						EN PN16/PN40		ANSI 150		ANSI 300	
SIZE DN	A	B	C	D	WGT. Kgs	E	WGT. Kgs	E	WGT. Kgs	E	WGT. Kgs
15-1/2"	95	59	95	65	1,6	150	3,2	150	2,7	150	3,5
20-3/4"	95	59	95	65	1,6	150	3,9	150	3,1	150	4,7
25-1"	95	65	95	65	1,8	160	4,7	160	4,3	160	5,9

* BW (butt weld) on request.

