

**BIMETALLIC STEAM TRAPS AND AIR ELIMINATORS**  
**BM 140**  
**(DN1/2" – DN 1"; DN15 – DN25)**

**DESCRIPTION**

BM140 series bimetallic steam traps and air eliminators are simple and robust traps, recommended for steam where condensate sensible heat can be recovered, steam tracing lines, drip points, storage tank coils, steam air venting, etc. The use of condensate sensible heat reduces the steam consumption.

Connections are female screwed, socket weld, butt weld or flanged.

**MAIN FEATURES**

- Modulating discharge.
- Discharges condensate below steam temperature.
- Excellent air discharge.
- Operates on superheated steam.
- Unaffected by water-hammer and vibrations.
- Built-in strainer.

**USE:** Saturated and superheated steam.

**AVAILABLE**

**MODELS:** BM140

**SIZES:** DN 1/2" to 1"; DN15 to DN25.

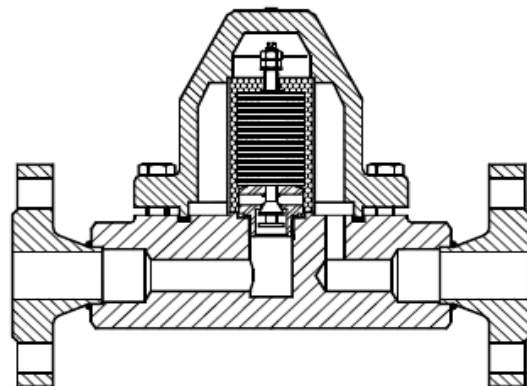
**CONNECTIONS:** Female screwed BSP or NPT

Flanged EN 1092-1 or ANSI

SW - Socket weld to ANSI B 16.11

BW - Butt weld to ANSI B16.25

**INSTALLATION:** Horizontal installation recommended, can be installed in any position. See IMI installation and maintenance instructions.



BODY LIMITING CONDITIONS		
FLANGED PN160 *	FLANGED ANSI 900 **	RELATED TEMP.
ALLOW. PRES.	ALLOW. PRES.	
160 bar	128,6 bar	300 °C
156 bar	120,7 bar	350 °C
141 bar	101,4 bar	450 °C
52 bar	46 bar	550 °C

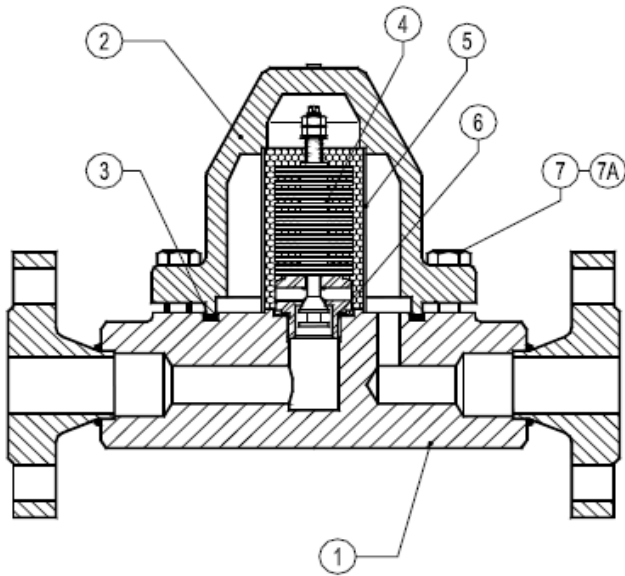
\* According to EN1092-1:2007 ; \*\* Acc. to EN1759-1:2004

Operating pressure : 25 to 140 bar

Body limiting conditions PN160 or below, depending on the type of connection adopted. Rating PN160 for thread, SW and BW.

FLOW RATE CAPACITY IN Kgs/h											
MODEL	SIZE DN	DIFFERENTIAL PRESSURE (bar)									
		25	30	35	40	45	50	60	80	120	140
BM 140	15 - 25 A	500	550	570	580	590	600	620	630	640	650
BM 140	15 - 25 B	3000	3200	3600	4000	4200	4700	5400	6200	7800	8500

A = Condensate discharge at 10°C below saturation temperature. B = Cold water capacity at about 20°C.



MATERIALS		
POS. Nr.	DESIGNATION	MATERIAL
1	Body	ASTM A182F22 / 1.7380 (Equiv.10CrMo910)
2	Cover	ASTM A182F22 / 1.7380 (Equiv.10CrMo910)
3	* Gasket	St.St./Graphite
4	* Valve assembly	Hardened St.Steel
5	* Strainer screen	AISI304 / 1.4301
6	* Seat gasket	AISI304 / 1.4301
7	Studs	ASTM A193 B16
7A	Nuts	ASTM A194 Gr.4

\* Available spare parts

DIMENSIONS ( mm)										
	BSP - NPT - SW - BW				EN1092-1 PN160			ANSI 900		
SIZE DN	A	C	D	WGT. Kgs	B	F*	WGT. Kgs	B	F*	WGT. Kgs
15-1/2"	160	120	115	6,3	52,5	230	8,8	60	230	10,2
20-3/4"	160	120	115	6,3	65	230	11,1	65	230	11,6
25-1"	160	120	115	6,3	70	230	11,8	75	230	14

\* Note: different face to face dimensions on request.

