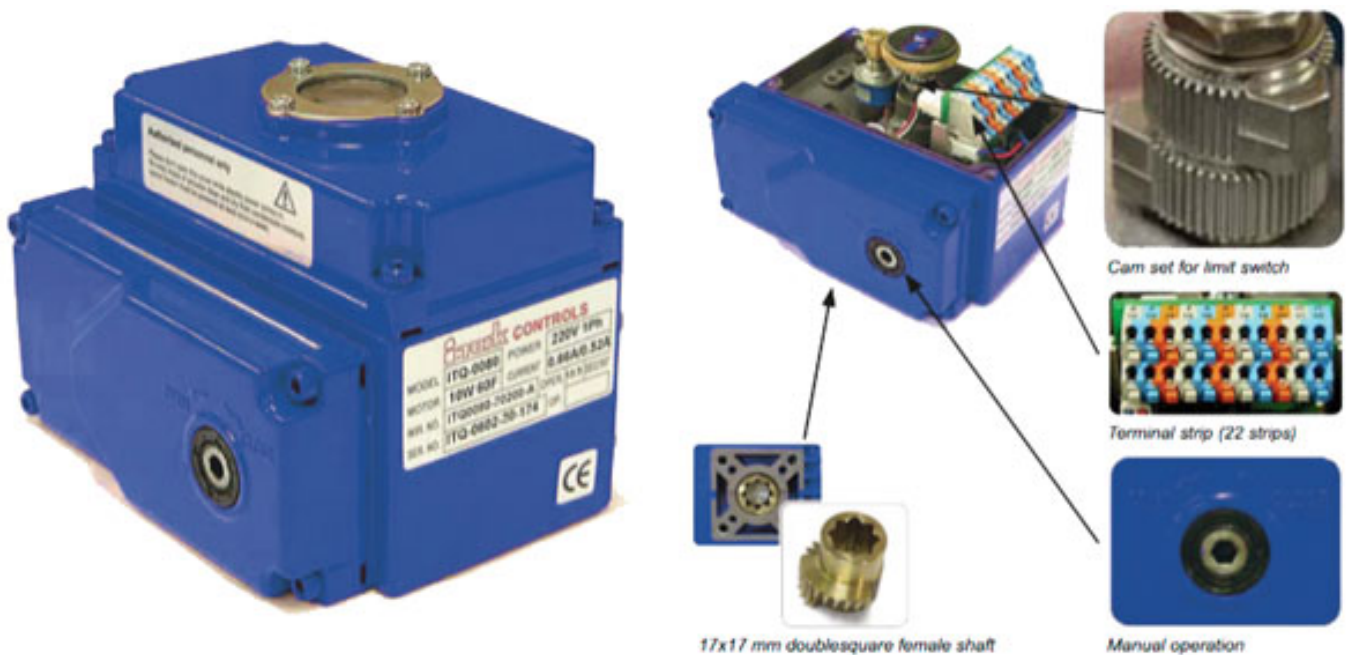


# Manöverdon (Electrical Actuator type ITQ 008)



## Product Overview

- ON/OFF automation of small ball valve, plug valves and dampers
- Self locking combination of spur and worm gears
- Special designed induction motor that produces high starting torques and thermally protected from overheating
- External mechanical stopper bolts
- Manual operation by wrench directly to the gear box
- Compact and light weight
- Standard supply voltage 1 phase 230V, optional voltage available

## STANDARD SPECIFICATION

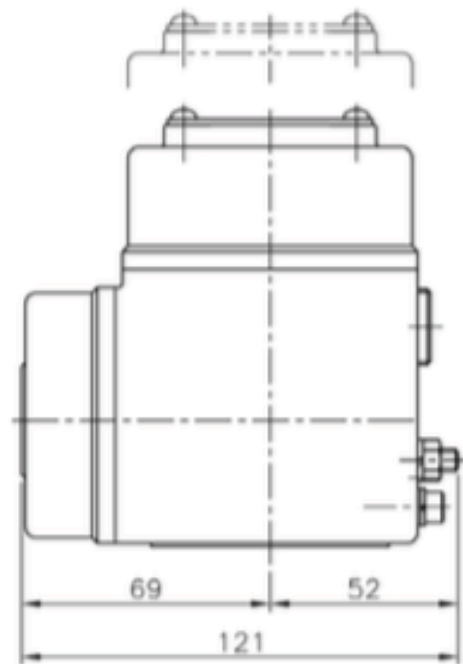
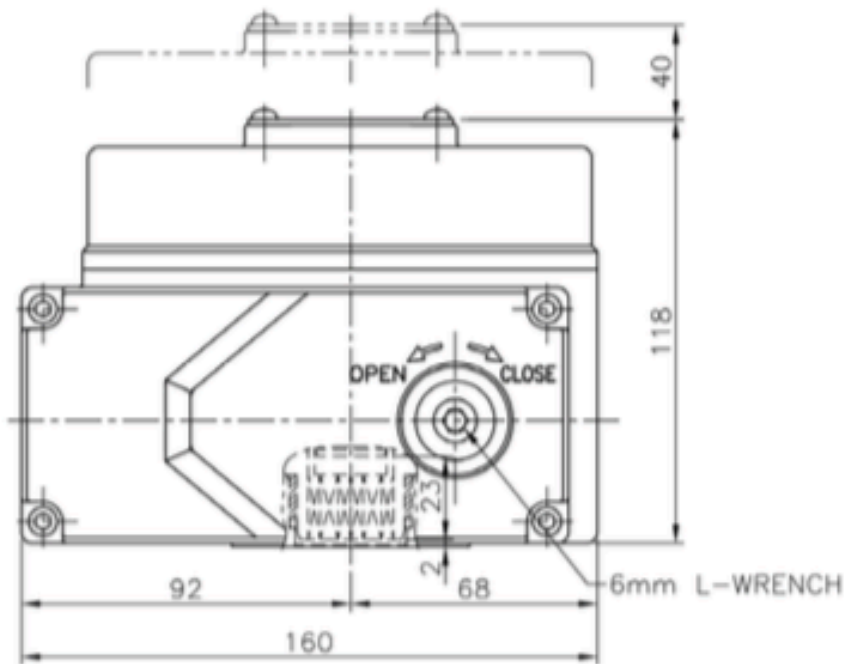
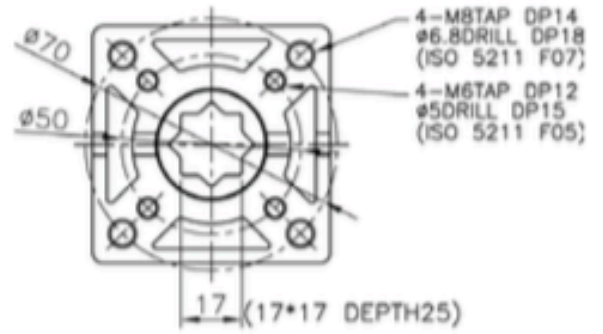
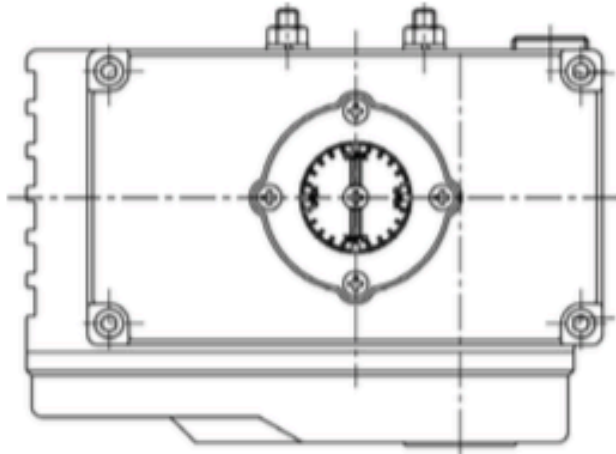
Enclosure	IP67, O-ring sealed
Main power supply	220 VAC / 1 phase / 50/60 Hz
Duty cycle ON/OFF	S2: 40%
Motor	Induction motor
Duty cycle modulating	S4: 50%, 1200 starts/hour
Limit switches	4 pcs. for open/close
Space heater	3 W
Mounting	ISO F05/F07, 17x17 mm square female shaft
Travel angle	90° ± 10° by adjustable mechanical stopper
Cable entries	2 – M20 x 1,5
External coating	Anodized and dry powder polyester
Ambient temperature	-20°C – +70°C
Ambient humidity	90% RH max.

## OPTIONS

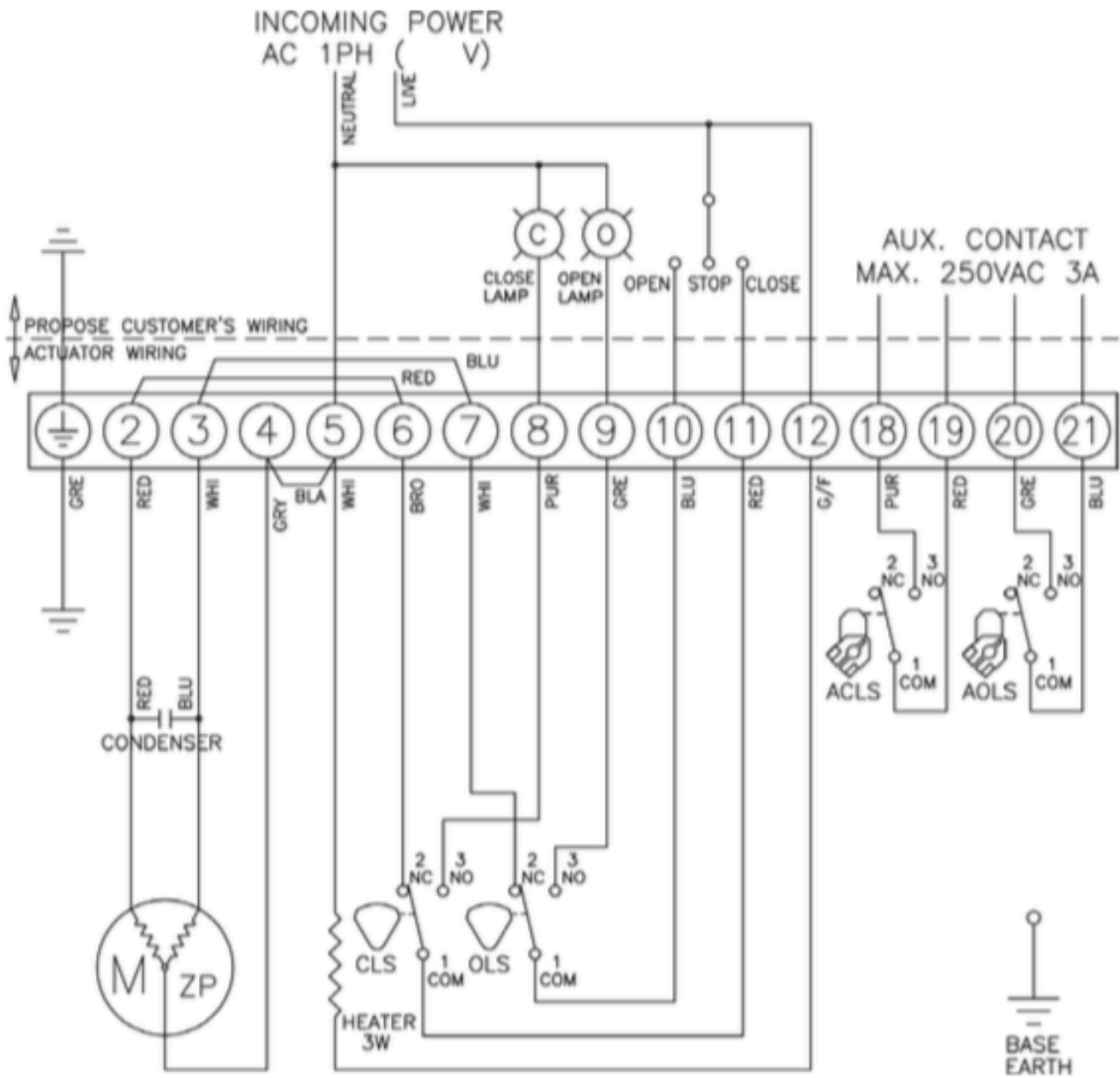
PK	Potentiometer kit (output signal: 0-1 KΩ) High resolution potentiometer and precisely machined gearing are directly engaged with drive shaft to feed back continuous position of valve
CT	Current transmitter (output signal: 4-20 mA) Zero / span adjustment Convertible DIP switch (4 wire to 2 wire)
RPC	Remote position controller (by input and output signal) Input: 4-20 mA, 0-10VDC, 2VDC, 1-5VDC, 0-5VDC Output: 4-20 mA Auto-calibration Reverse operating direction

Type	Torque (Nm)	Duty cycle S2 (%)	Operating time (sec.) 50 Hz / 60 Hz	Max. bore size (mm)	Rated current (A) 1 fase 220	Motor insulation class	Weight (Kg)
ITQ 008	80	50	16 / 14	17	0,52	E	3,5

## DIMENSIONS



# WIRING



CLS : CLOSE LIMIT SWITCH (250VAC 3A)

OLS : OPEN LIMIT SWITCH (250VAC 3A)

ACLs : AUX. CLOSE LIMIT SWITCH (250VAC 3A)

AOLS : AUX. OPEN LIMIT SWITCH (250VAC 3A)

ZP : IMPEDANCE PROTECTED MOTOR

\*EACH ACTUATOR SHOULD BE POWERED THROUGH ITS OWN INDIVIDUAL SWITCH OR RELAY CONTACTS TO PREVENT CROSS FEED BETWEEN TWO OR MORE ACTUATORS.